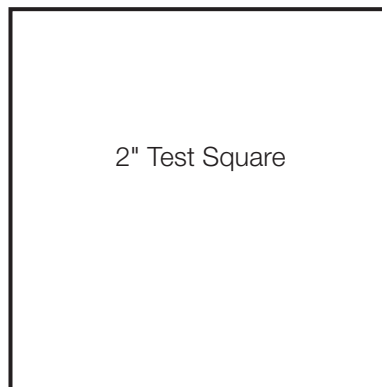
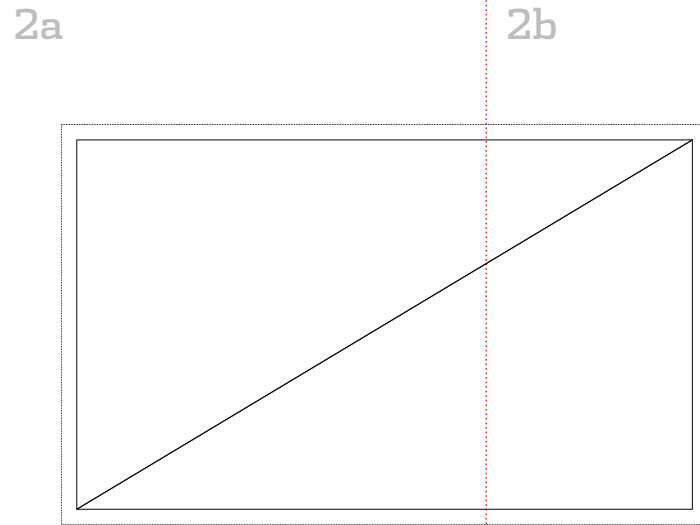


© 2017 F+W Media, Inc.



Gnome for the Holidays ePattern Layout

4 pages: 1a-1b, 2a-2b

Print this page first at 100%, then measure the 2" test square before printing full pattern.

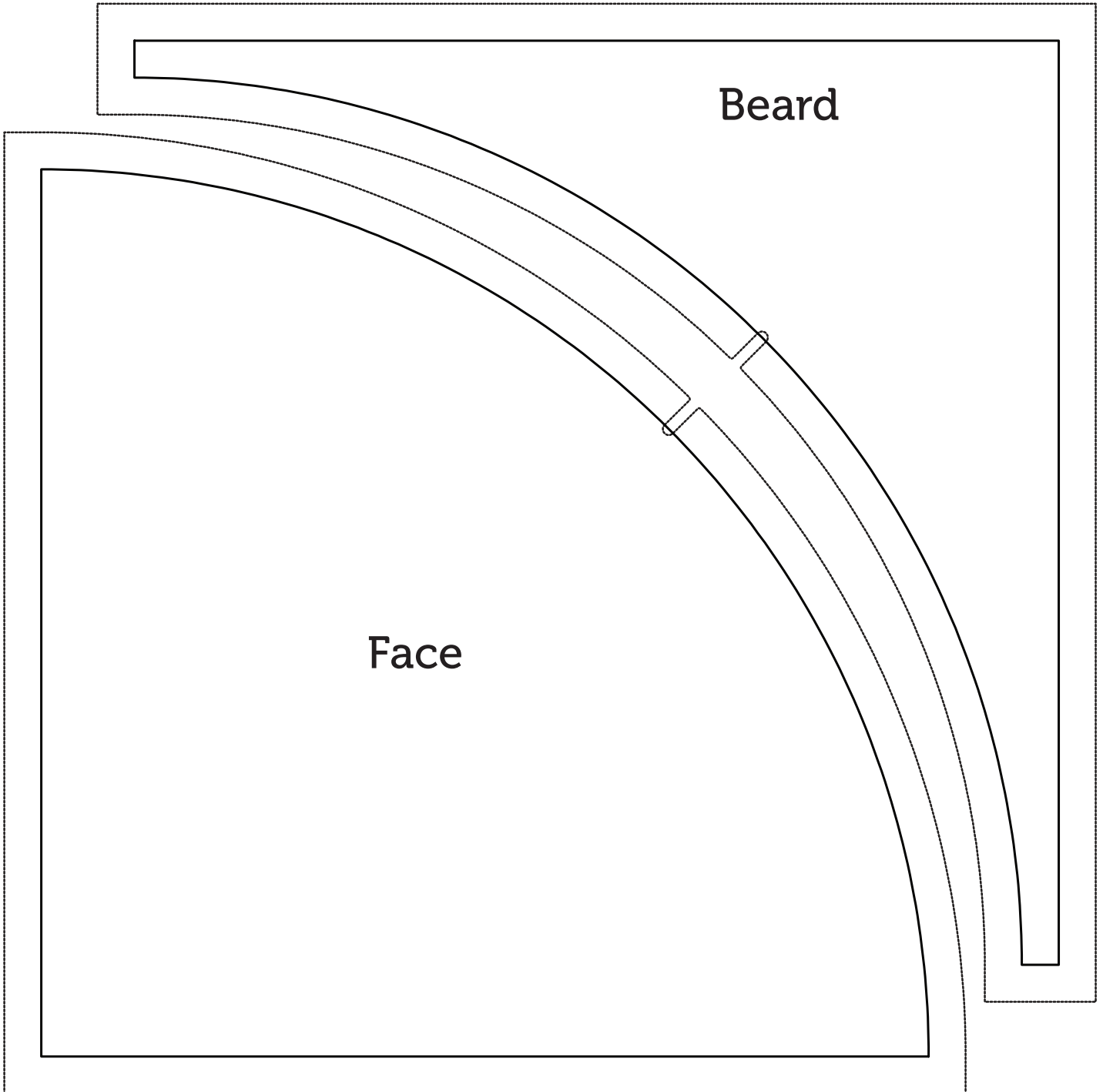
Dotted line=seam allowance

1a

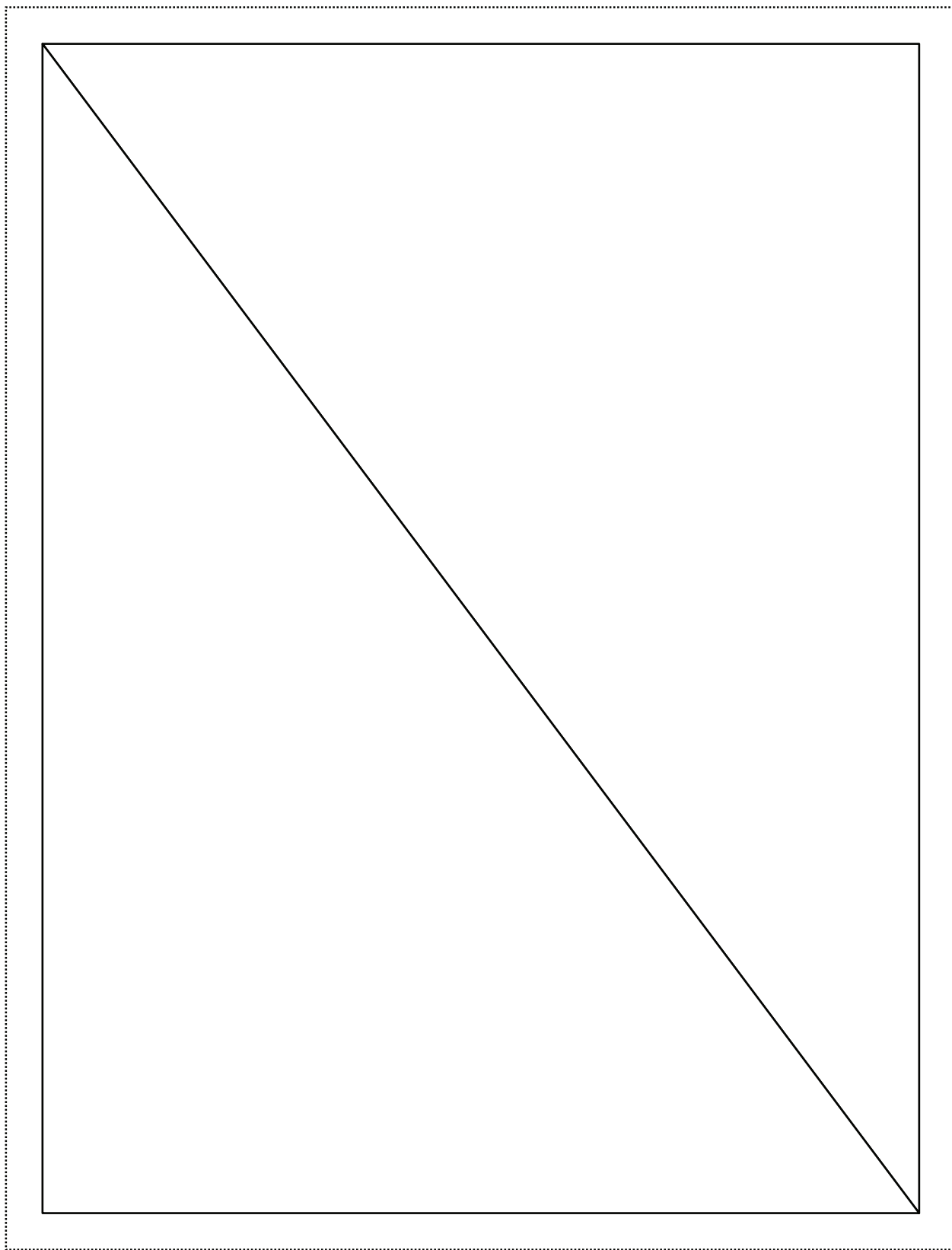
SEW

NEWS

The Trusted Sewing Source
ESTABLISHED IN 1980

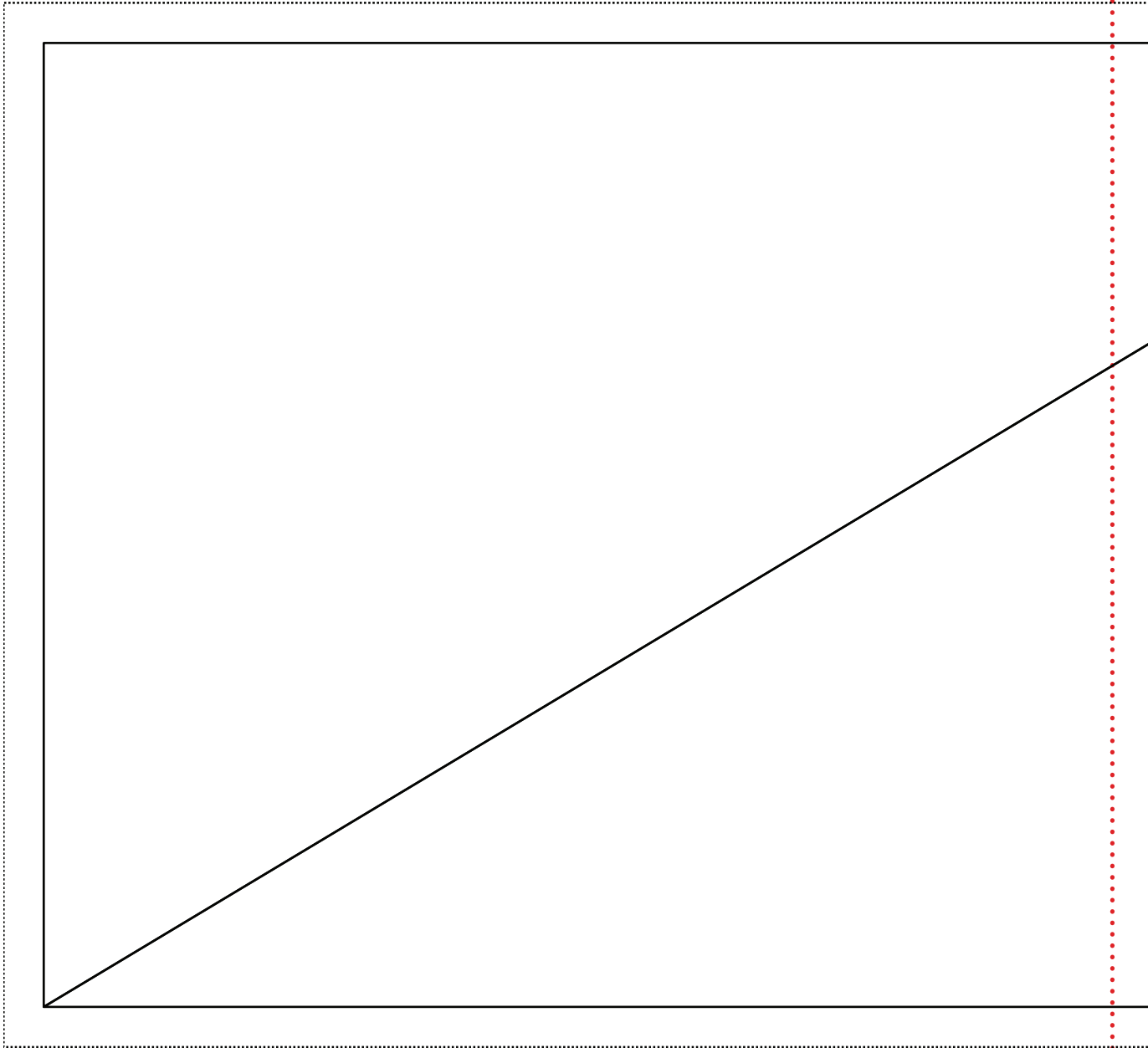


1b

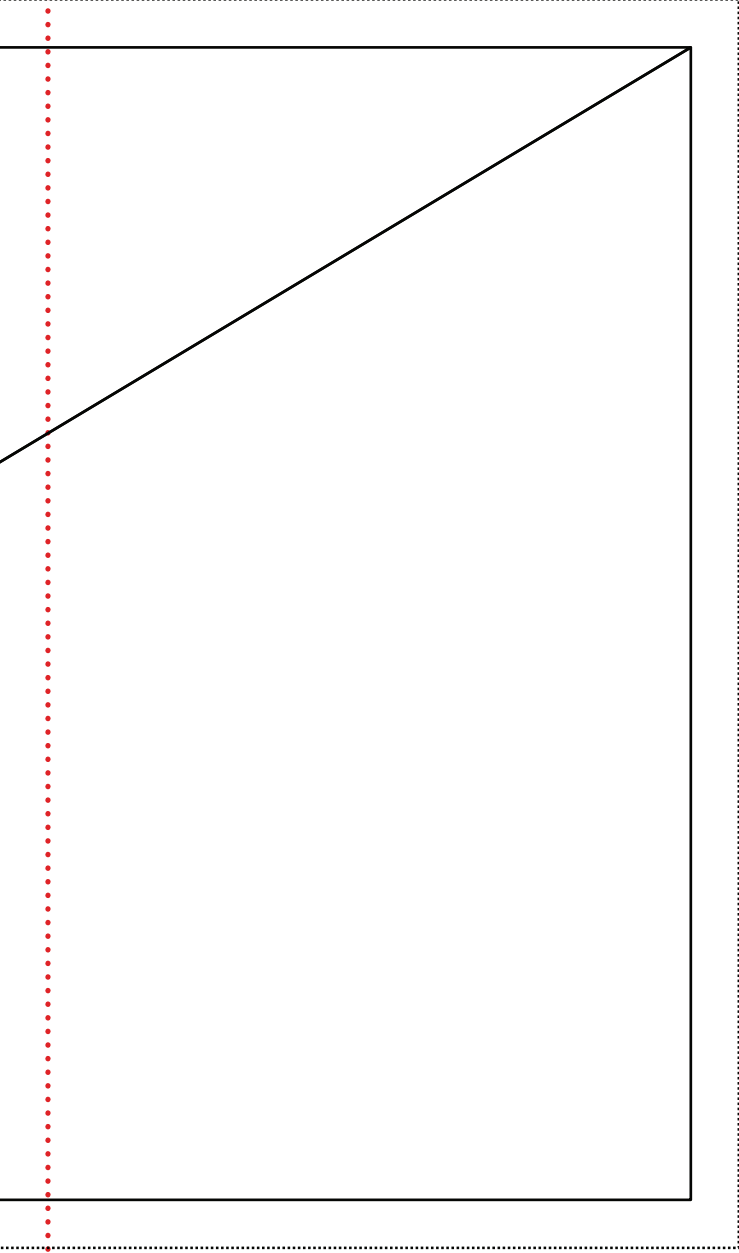


Body Block

2a



2b



Hat Block